

PLEASE CHECK WWW.MOLEX.COM FOR LATEST PART INFORMATION

Part Number: [0445200002](#)
Status: **Active**
Overview: [modular_plugs_jacks](#)
Description: Modular Jack, Right Angle, Shielded, Stacked, 8/8, 12 Ports

Documents:

[3D Model](#) [Product Specification PS-44050-003 \(PDF\)](#)
[Drawing \(PDF\)](#) [RoHS Certificate of Compliance \(PDF\)](#)
[Packaging Specification \(PDF\)](#)

Agency Certification

CSA LR19980
 UL E107635

General

Product Family Modular Jacks/Plugs
 Series [44520](#)
 Comments High Speed|Multi-Port
 Component Type PCB Jack
 Magnetic No
 Overview [modular_plugs_jacks](#)
 Performance Category 5
 Power over Ethernet (PoE) N/A
 Product Name RJ45

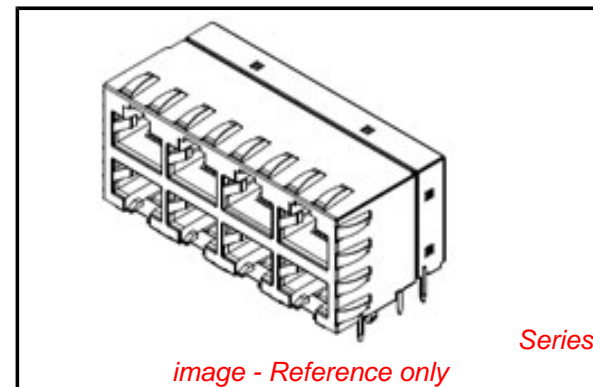
Physical

Color - Resin Black
 Durability (mating cycles max) 500
 Flammability 94V-0
 Inverted / Top Latch Yes
 Lightpipes/LEDs None
 Material - Metal Brass, Phosphor Bronze
 Material - Plating Mating Gold
 Material - Plating Termination Tin
 Material - Resin Polyester
 Orientation Right Angle (Side Entry)
 PCB Retention Yes
 PCB Thickness Recommended (in) 0.062 In
 PCB Thickness Recommended (mm) 1.60 mm
 Packaging Type Tray
 Plating min: Mating (µin) 50
 Plating min: Mating (µm) 1.25
 Plating min: Termination (µin) 100
 Plating min: Termination (µm) 2.5
 Ports 12
 Positions / Loaded Contacts 8/8
 Surface Mount Compatible (SMC) No
 Temperature Range - Operating -40°C to +80°C
 Termination Interface: Style Through Hole
 Wire/Cable Type N/A

Electrical

Current - Maximum per Contact 1.5A
 Shielded Yes
 Voltage - Maximum 125V

Solder Process Data



EU RoHS

**ELV and RoHS
 Compliant**
**REACH SVHC
 Contains SVHC: No**
**Halogen-Free
 Status**

China RoHS



**Need more information on product
 environmental compliance?**

Email productcompliance@molex.com
 For a multiple part number RoHS Certificate of
 Compliance, [click here](#)

Please visit the [Contact Us](#) section for any
 non-product compliance questions.

Search Parts in this Series

[44520Series](#)

Mates With

FCC 68 Plugs

Duration at Max. Process Temperature (seconds)	5
Lead-free Process Capability	Wave Capable (TH only)
Max. Cycles at Max. Process Temperature	1
Process Temperature max. C	260

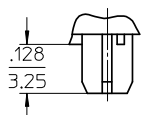
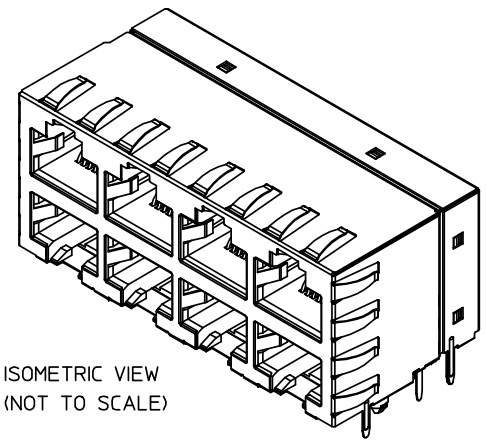
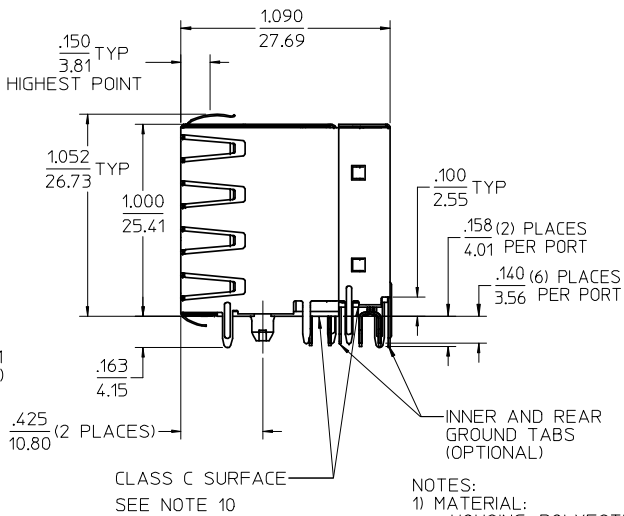
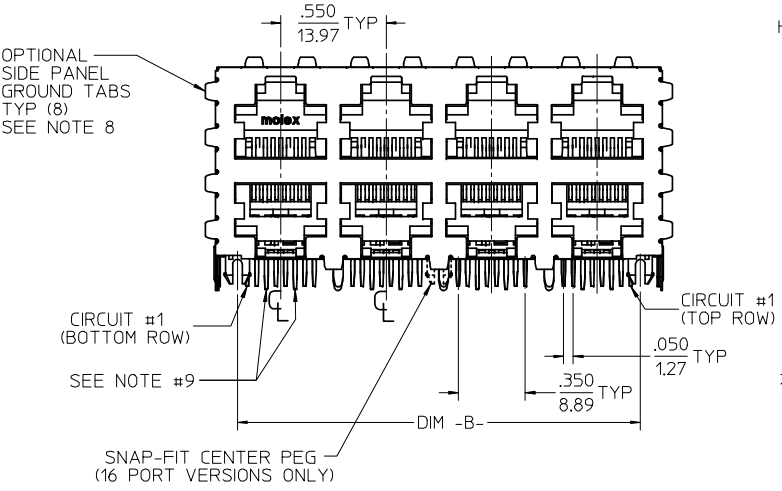
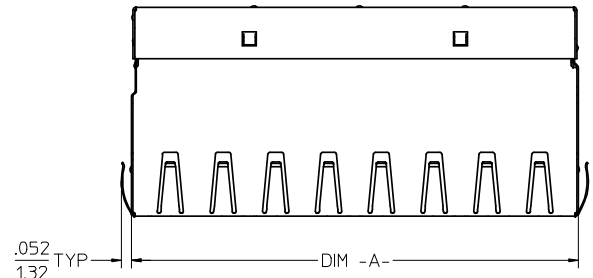
Material Info

Reference - Drawing Numbers

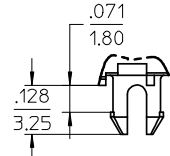
Packaging Specification	PK-44520-003
Product Specification	PS-44050-003
Sales Drawing	SD-44520-001

This document was generated on 06/08/2010

PLEASE CHECK WWW.MOLEX.COM FOR LATEST PART INFORMATION



PRESS-FIT PEG STYLE (NOTE 5)



SNAP-FIT PEG STYLE (NOTE 5)

- NOTES:
- 1) MATERIAL:
HOUSING: POLYESTER(PBT), GLASS FILLED, UL94V-0, COLOR: BLACK
TERMINALS: PHOSPHOR BRONZE
SHIELD: BRASS
 - 2) FINISH:
TERMINALS:
SELECT GOLD IN CONTACT AREA: 50 MICROINCHES MIN.,
*SELECT TIN IN PC TAIL AREA: 100 MICROINCHES MIN.,
WITH OVERALL NICKEL UNDERPLATE: 50 MICROINCHES MIN.
SHIELD:
*100 MICROINCHES NICKEL OVER 50 MICROINCHES COPPER UNDERPLATE
PCB GROUND TABS DIPPED IN TIN
*THE PRIMARY SHIPPING CARTON WILL BE LABELED "COMPLIANT TO RoHS DIRECTIVE 2002/95/EC AND ELV ANNEX II OF DIRECTIVE 2000/53/EC".
CARTONS WITHOUT THIS LABEL MAY CONTAIN PRODUCT WITH TIN-LEAD IN THE PC TAILS AND/OR SHIELD.
 - 3) PRODUCT SPECIFICATION AND PROCESSING PARAMETERS: PS-44050-003.
 - 4) PACKAGING SPECIFICATION:
CONNECTOR PACKAGED IN THERMOFORMED TRAYS.
 - 5) CONNECTORS AVAILABLE WITH EITHER SNAP-FIT OR PRESS-FIT PEGS.
 - 6) CONFORMS TO FCC REGULATION PART 68.5 FOR MODULAR JACKS.
 - 7) PCB LAYOUT AND PANEL CUT-OUT SHOWN ON SHEET (2) OF (2).
 - 8) AVAILABLE WITH THE (8) PANEL GROUND TABS REMOVED ON EACH SIDE FOR SIDE TO SIDE STACKABILITY.
 - 9) TERMINAL LENGTHS MAY BE DIFFERENT FROM TERMINAL TO TERMINAL.
 - 10) THIS PART CONFORMS TO CLASS B REQUIREMENTS OF COSMETIC SPECIFICATION PS-45499-002 WITH THE EXCEPTION OF THE INDICATED SURFACE WHICH IS A CLASS C SURFACE.

ASSEMBLY MATERIAL NUMBER	NUMBER OF PORTS	PEG STYLE	DIM -A-	DIM -B-	SIDE PANEL GROUND TABS	INNER/REAR GROUND TABS
44520-0001	8 (2 X 4)	SNAP-FIT	2.330/59.18	2.100/53.34	YES	YES
44520-2001	8 (2 X 4)	SNAP-FIT	2.330/59.18	2.100/53.34	NO	YES
44520-3001	8 (2 X 4)	SNAP-FIT	2.330/59.18	2.100/53.34	YES	NO
44520-4001	8 (2 X 4)	SNAP-FIT	2.330/59.18	2.100/53.34	NO	NO
44520-0004	8 (2 X 4)	PRESS-FIT	2.330/59.18	2.100/53.34	YES	YES
44520-2004	8 (2 X 4)	PRESS-FIT	2.330/59.18	2.100/53.34	NO	YES
44520-3004	8 (2 X 4)	PRESS-FIT	2.330/59.18	2.100/53.34	YES	NO
44520-4004	8 (2 X 4)	PRESS-FIT	2.330/59.18	2.100/53.34	NO	NO
44520-0002	12 (2 X 6)	SNAP-FIT	3.430/87.12	3.200/81.28	YES	YES
44520-2002	12 (2 X 6)	SNAP-FIT	3.430/87.12	3.200/81.28	NO	YES
44520-3002	12 (2 X 6)	SNAP-FIT	3.430/87.12	3.200/81.28	YES	NO
44520-4002	12 (2 X 6)	SNAP-FIT	3.430/87.12	3.200/81.28	NO	NO
44520-0005	12 (2 X 6)	PRESS-FIT	3.430/87.12	3.200/81.28	YES	YES
44520-2005	12 (2 X 6)	PRESS-FIT	3.430/87.12	3.200/81.28	NO	YES
44520-3005	12 (2 X 6)	PRESS-FIT	3.430/87.12	3.200/81.28	YES	NO
44520-4005	12 (2 X 6)	PRESS-FIT	3.430/87.12	3.200/81.28	NO	NO
44520-0003	16 (2 X 8)	SNAP-FIT	4.530/115.06	4.300/109.22	YES	YES
44520-2003	16 (2 X 8)	SNAP-FIT	4.530/115.06	4.300/109.22	NO	YES
44520-3003	16 (2 X 8)	SNAP-FIT	4.530/115.06	4.300/109.22	YES	NO
44520-4003	16 (2 X 8)	SNAP-FIT	4.530/115.06	4.300/109.22	NO	NO
44520-0006	16 (2 X 8)	PRESS-FIT	4.530/115.06	4.300/109.22	YES	YES
44520-2006	16 (2 X 8)	PRESS-FIT	4.530/115.06	4.300/109.22	NO	YES
44520-3006	16 (2 X 8)	PRESS-FIT	4.530/115.06	4.300/109.22	YES	NO
44520-4006	16 (2 X 8)	PRESS-FIT	4.530/115.06	4.300/109.22	NO	NO

ADDED NOTE 10
EC NO: UCP2009-0280
DRAWN: KLOSTNER 2008/08/01
CHKD: BELLE 2008/08/04
APPR: FSM/TH 2008/08/04

QUALITY SYMBOLS
▽=0
▽=0

DESCRIPTION
REV: C2

GENERAL TOLERANCES (UNLESS SPECIFIED)

	mm	INCH
4 PLACES ±	---	± .010
3 PLACES ±	---	± .010
2 PLACES ±	0.25	± .010
1 PLACE ±	---	± .010

ANGULAR ±1/2°

DRAFT WHERE APPLICABLE MUST REMAIN WITHIN DIMENSIONS

DIMENSION STYLE
IN/MM

DRAWN BY: MARGULIS
DATE: 99/04/16

CHECKED BY: ROBERTS
DATE: 99/04/18

APPROVED BY: ROBERTS
DATE: 99/04/18

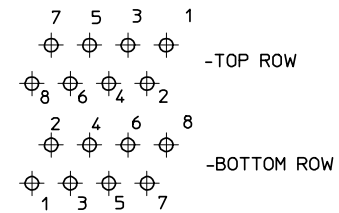
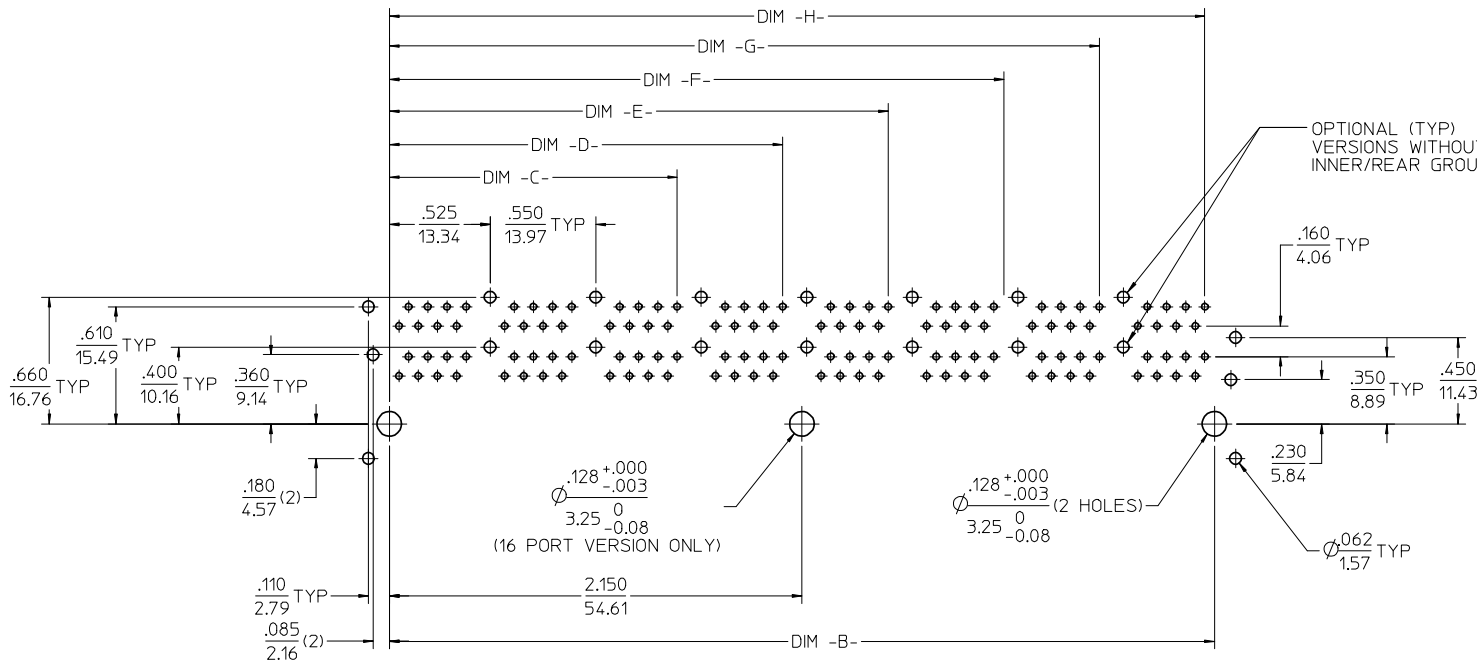
MATERIAL NO. SEE CHART
SIZE: C

SCALE: 2:1
DESIGN UNITS: INCH
THIRD ANGLE PROJECTION

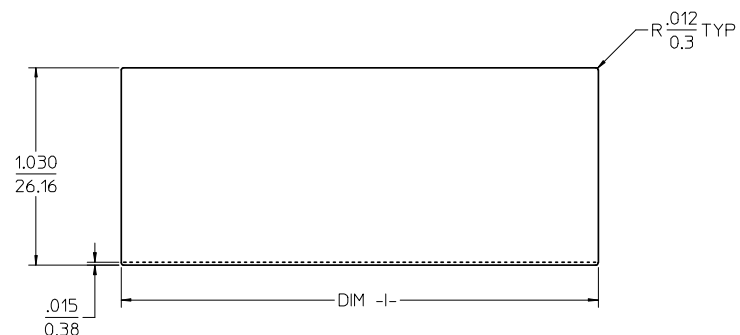
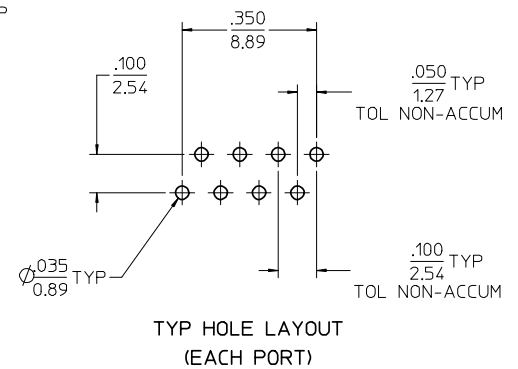
TITLE: STACKED MODULAR JACK CATEGORY 5

MOLEX INCORPORATED
DOCUMENT NO. SD-44520-001
SHEET NO. 1 OF 2

THIS DRAWING CONTAINS INFORMATION THAT IS PROPRIETARY TO MOLEX INCORPORATED AND SHOULD NOT BE USED WITHOUT WRITTEN PERMISSION



PC BOARD LAYOUT: COMPONENT SIDE
RECOMMENDED PCB THICKNESS: .062/1.57
(16 PORT VERSION SHOWN)



NUMBER OF PORTS	DIM -B-	DIM -C-	DIM -D-	DIM -E-	DIM -F-	DIM -G-	DIM -H-	DIM -I-
8 (2 X 4)	2.100/53.34	1.500/38.10	2.050/52.07					2.360/59.94
12 (2 X 6)	3.200/81.28	1.500/38.10	2.050/52.07	2.600/66.04	3.150/80.01			3.460/87.88
16 (2 X 8)	4.300/109.22	1.500/38.10	2.050/52.07	2.600/66.04	3.150/80.01	3.700/93.98	4.250/107.95	4.560/115.82

EC NO: UCP2009-0280 DRWN:JKLOSTNER 2008/08/01 CHKD:JBELL 2008/08/04 APPR:FSM/TH 2008/08/04 C2	QUALITY SYMBOLS	GENERAL TOLERANCES (UNLESS SPECIFIED)	DIMENSION STYLE	SCALE	DESIGN UNITS	THIRD ANGLE PROJECTION															
	$\nabla=0$ $\nabla=0$	<table border="1"> <thead> <tr> <th></th> <th>mm</th> <th>INCH</th> </tr> </thead> <tbody> <tr> <td>4 PLACES</td> <td>$\pm .10$</td> <td>$\pm .004$</td> </tr> <tr> <td>3 PLACES</td> <td>$\pm .15$</td> <td>$\pm .005$</td> </tr> <tr> <td>2 PLACES</td> <td>$\pm .25$</td> <td>$\pm .010$</td> </tr> <tr> <td>1 PLACE</td> <td>$\pm .50$</td> <td>$\pm .020$</td> </tr> </tbody> </table>		mm	INCH	4 PLACES	$\pm .10$	$\pm .004$	3 PLACES	$\pm .15$	$\pm .005$	2 PLACES	$\pm .25$	$\pm .010$	1 PLACE	$\pm .50$	$\pm .020$	IN/MM	2:1	INCH	<input checked="" type="checkbox"/> THIRD ANGLE PROJECTION
		mm	INCH																		
	4 PLACES	$\pm .10$	$\pm .004$																		
3 PLACES	$\pm .15$	$\pm .005$																			
2 PLACES	$\pm .25$	$\pm .010$																			
1 PLACE	$\pm .50$	$\pm .020$																			
DRAFT WHERE APPLICABLE MUST REMAIN WITHIN DIMENSIONS	DRAWN BY: MARGULIS CHECKED BY: ROBERTS APPROVED BY: ROBERTS	DATE: 99/04/16 DATE: 99/04/18 DATE: 99/04/18	TITLE: STACKED MODULAR JACK CATEGORY 5	MOLEX INCORPORATED	SHEET NO. 2 OF 2																
THIS DRAWING CONTAINS INFORMATION THAT IS PROPRIETARY TO MOLEX INCORPORATED AND SHOULD NOT BE USED WITHOUT WRITTEN PERMISSION	SEE CHART	SD-44520-001																			